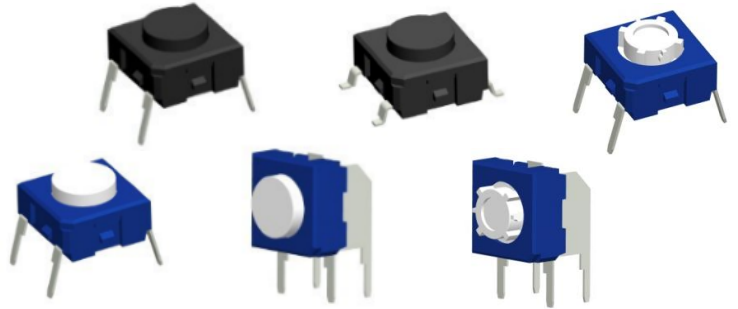
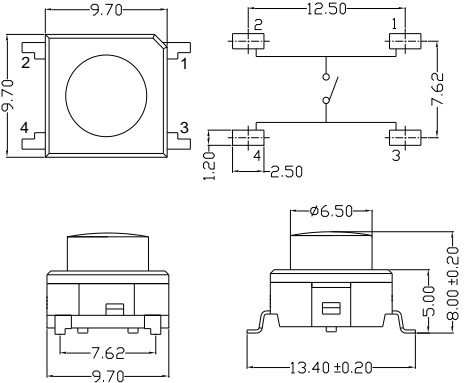
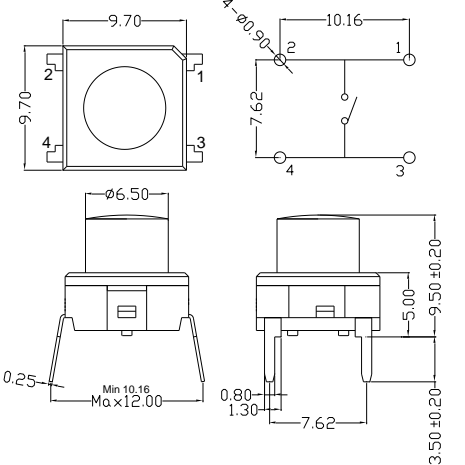
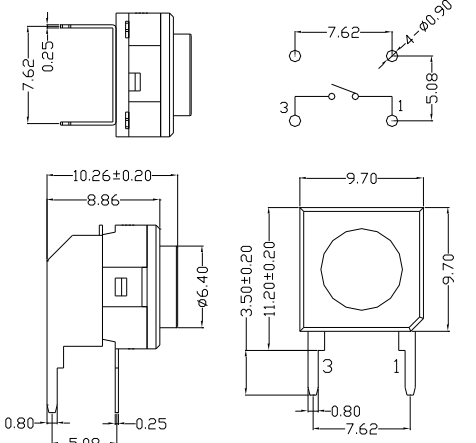
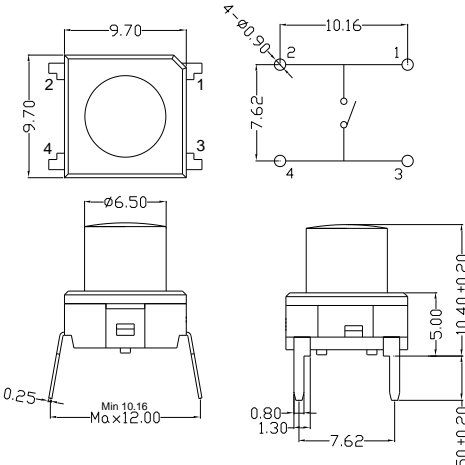
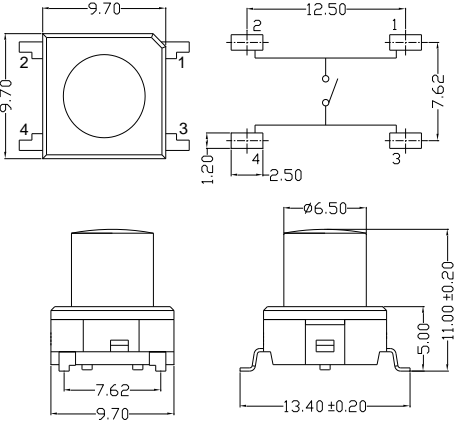
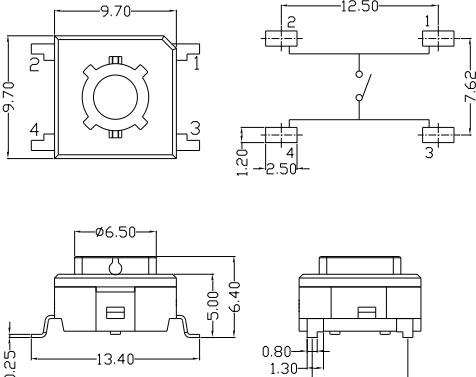


Technical Data

- ◆ Through-hole/ SMD/ Right angle
- ◆ Single pole/ Momentary
- ◆ 50mA/ 24VDC
- ◆ 10,000,000 operations life time(Max.)
- ◆ Meet IP67
- ◆ Contact resistance : < 30mΩ (Initially)
- ◆ Insulation resistance : > 10MΩ
- ◆ Basic temp.: -40/ +115°C
- ◆ High temp.: -40/ +160°C
- ◆ Max actuation force : 100N for 10 Sec.
- ◆ Actuation force : 3.5N±1N(Standard)

PATENTED



<p style="text-align: center;">3CS-8.0</p> <p style="text-align: center;">Dimensions (SMD)</p> 	<p style="text-align: center;">3CH/T-9.5</p> <p style="text-align: center;">Dimensions (Through-hole)</p> 	<p style="text-align: center;">3CY</p> <p style="text-align: center;">Dimensions (Right angle)</p> 
<p style="text-align: center;">3CH/T-10.4</p> <p style="text-align: center;">Dimensions (Through-hole)</p> 	<p style="text-align: center;">3CS-11.0</p> <p style="text-align: center;">Dimensions (SMD)</p> 	<p style="text-align: center;">3ES</p> <p style="text-align: center;">Dimensions (SMD)</p> 

Order Information

TM	3	C	H	3	U	-	8.0	-	R
Basic Switch series			Mounting	Actuation Force	X: Standard		Total Height		Package
3C			H: Thru-hole	2: 250gf/ 2.5N	U: Halogen Free		None: 6.4mm(Standard)		None: Tube
3E			S: SMD	3: 350gf/ 3.5N (Standard)			6.7: 6.7mm		R: Tape & Reel
			Y: Right angle	6: 650gf/ 6.5N			8.0: 8.0mm		
			T: Thru-hole for Reflow Soldering				9.5: 9.5mm		
							10.4: 10.4mm		
							11.0: 11.0mm		